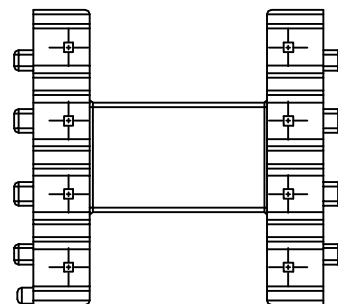
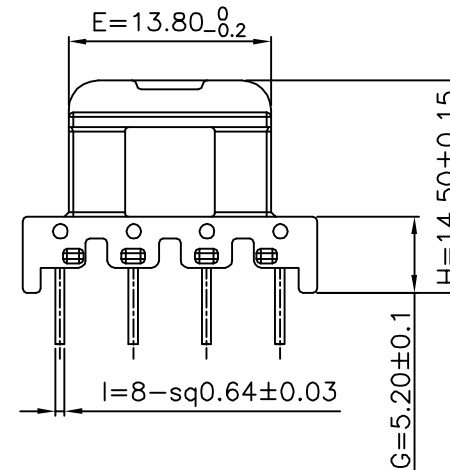
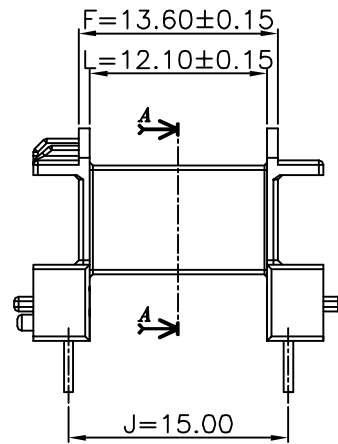
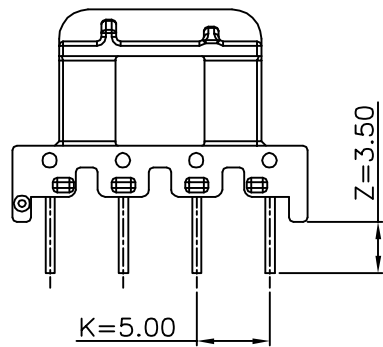


SECTION A-A



13.03.06 리포트 결함

△							
△							
△							
△							
MARK	REVISION NOTE			DATE	DRAWN	CHECKED	APPROVED
	DRAWN	CHECKED	APPROVED	MATERIAL : NYLON (A3X2G7)	UL REC. : UL94V-0	THIRD ANGLE PROJ.	SCALE : 1/2
	KM, Seo	SH, Kim	C, Park	Z : PIN LENGTH (According to customer's request)	DATE : 2013.03.05	TOLERANCE : ±0.2 (Unless otherwise specified)	UNIT : m/m
주식회사 대흥보빈 DAE HEUNG BOBBIN CO., LTD				TITLE EE 20X20 "H" (8P) (B)		DWG NO DH-021015-2016-03	